

Pro'sKit®

PT-1361 Li-ion Cordless Screwdriver 3.6V

CE



User's Manual

1st Edition' 2015

©2015 Copy Right by Prokit's Industries Co., Ltd.

Important!

When using equipment, a few safety precautions must be observed to avoid injuries and damage.

Please read the complete operating manual with care. Keep this manual in a safe place, so that the information is available at all times. If you give the equipment to any other person, give them these operating instructions as well.

We accept no liability for damage or accidents which arise due to non-observance of these instructions and the safety information.

1. Safety information

Please refer to the booklet included in delivery for the safety instructions.

Caution!

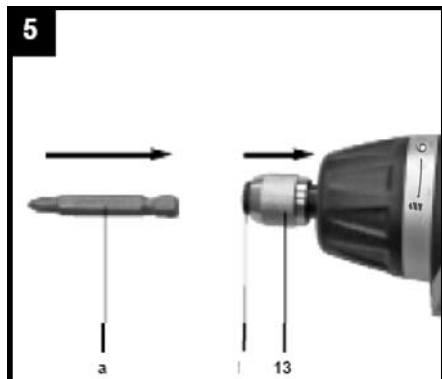
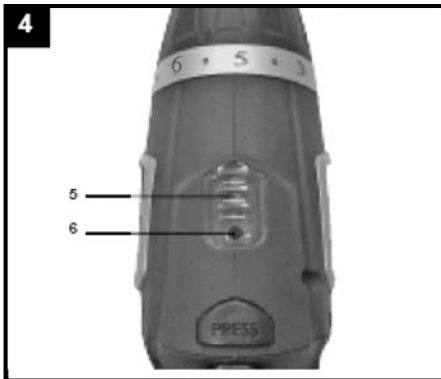
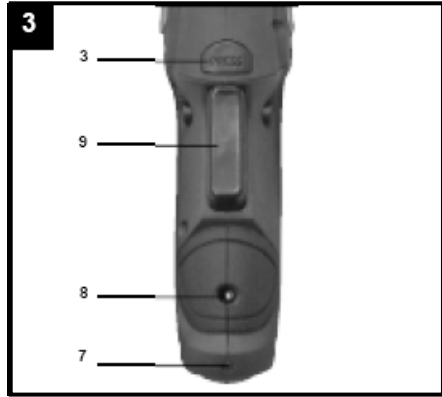
Read all safety regulations and instructions.

Any errors made in following the safety regulations and instructions may result in an electric shock, fire and / or serious injury

Keep all safety regulations and instructions in a safe place for future use.

2. Layout and items supplied





2.1 Layout

1. Bit chuck
2. Lamp
3. Locking button
4. ON/OFF switch for lamp
5. Battery capacity indicator
6. Switch for battery capacity indicator
7. Charging control lamp
8. Charging connection
9. On / Off switch
10. Clockwise/Counter-clockwise selector switch
11. Battery charger
12. Charging cable
13. Locking sleeve

2.2 Items supplied

Open the packaging and take out the equipment with care.

Remove the packaging material and any packaging and/or transportation braces (if available). Check to see if all items are supplied. Inspect the equipment and accessories for transport damage. If possible, please keep the packaging until the end of the guarantee period.

Important

The equipment and packaging material are not toys. Do not let children play with plastic bags, or small parts. There is a danger of swallowing or suffocating!

1. Cordless screwdriver
2. Battery charger
3. Bits x 4pcs (50 mm, SL5,SL6,PH1,PH2)
4. User's manual

3. Proper use

The cordless screwdriver is designed for tightening and undoing screws.

The machine is to be used only for its prescribed purpose. Any other use is deemed to be a case of misuse. The user /operator and not the manufacturer will be liable for any damage or injuries of any kind caused as a result of this.

4. Technical data

Model No.	PT-1361A	PT-1361F	PT-1361G
Battery charger supply voltage	120V 50Hz	230 V 50 Hz	220V 50 Hz
Motor power supply	3.6 V DC		
Idling speed	200 rpm		
Clockwise/Counter-clockwise	Yes		
Charge voltage for rechargeable battery	6 V DC		
Charge current for rechargeable battery	300 mA		
Charging time: max.	3-5 hours		
Battery type	Li-Ion		

Sound and vibration

Sound and vibration values were measured in accordance with EN 60745.

Additional information for electric power tools

Warning!

The specified vibration value was established in accordance with a standardized testing method. It may change according to how the electric equipment is used and may exceed the specified value in exceptional circumstances. The specified vibration value can be used to compare the equipment with other electric power tools. The specified vibration value can be used for initial assessment of a harmful effect.

Keep the noise emissions and vibrations to a minimum.

Only use appliances which are in perfect working order. Service and clean the appliance regularly. Adapt your working style to suit the appliance. Do not overload the appliance.

Residual risks

Even if you use this electric power tool in accordance with instructions, certain residual risks cannot be ruled out. The following hazards may arise in connection with the equipment's construction and layout:

1. Lung damage if no suitable protective dust mask is used.
2. Damage to hearing if no suitable ear protection is used.
3. Health damage caused by hand-arm vibrations if the equipment is used over a prolonged period or is not properly guided and maintained.

5. Before starting the equipment

Be sure to read the following information before you use your cordless screwdriver for the first time:

1. Charge the battery pack with the charger supplied.
2. Only ever use screwdriver bits which are suitable for the purpose and in faultless condition.
3. Always check for concealed electric cables and gas and water pipes when drilling and screwing in walls.

6. Operation

6.1 Charging the battery (Fig. 1)

The battery is protected from exhaustive discharge. An integrated protective circuit automatically switches off the equipment when the battery is flat. In this case the bit chuck will cease to turn.

Warning!

Do not press the ON/OFF switch any more if the protective circuit has actuated. This may damage the battery.

1. Check that your mains voltage is the same as that marked on the rating plate of the battery charger. Plug the battery charger in the plug socket and connect the charging cable to the charging connection. The charging process starts as soon as the charging cable is connected to the charging adapter.
2. The red LED (7) will come on to indicate that the battery pack is being charged.
3. The charging control lamp (7) goes out when charging is completed.

Important!

The handle may become a little warm during the charging process. This is normal. If the battery pack fails to charge, please check whether there is voltage at the socket-outlet and check for proper contact with the charging contacts in the battery charger. If the battery still fails to charge, send the battery charger and the screwdriver to our customer services department. Timely recharging of the battery pack will help it serve you well for a long time. You must recharge the battery pack when you notice that the power of the screwdriver drops.

6.2 Changeover switch (Fig. 2/Item 10)

The slide switch above the ON/OFF switch is for setting the direction of rotation of the

cordless screwdriver and for preventing the cordless screwdriver from being switched on inadvertently. You can select between clockwise and counter- clockwise rotation. Change the direction of rotation only when the equipment is at a standstill. If you fail to observe this point, the gearing may become damaged. When the slide switch is in the middle position, the ON/OFF switch is blocked.

6.3 ON/OFF switch (Fig. 2 / Item 9)

Press the On/Off switch to switch the cordless screwdriver on. Release the ON/OFF switch to switch off the tool.

6.4 LED lamp (Fig. 1/Item 2)

The LED lamp (2) can be used in poor lighting conditions to illuminate the area where you want to screw. To switch ON, press the switch (4) and to switch OFF press the switch (4) again.

6.5 Angle setting (Fig. 1,3/Item 3)

The screwdriver can be locked into 2 different angle settings. To do so, press the locking button (3) and move the screwdriver into the desired position. Then release the locking button (3).

Important.

Before you switch on the screwdriver, make sure that it is correctly locked in the angle position in question.

6.6 Battery capacity indicator (Fig. 4/Item 5)

Press the button for the battery capacity indicator (6). The battery capacity indicator (5) indicates the charge state of the battery on 3 colored LEDs.

All LEDs illuminate:

The battery is fully charged

The yellow and red LED illuminate:

The battery has an adequate remaining charge

Red LED:

The battery is empty, recharge the battery

6.7 Changing the tool (Fig. 5)

Important!

Set the changeover switch to its centre position whenever you carry out any work (for example changing the tool, maintenance work, etc.) on the cordless screwdriver. Pull back and hold the locking sleeve (13). Insert the bit (a) into the bit chuck (1) and let go of the locking sleeve (13). Check that it is secure by attempting to pull the tool apart again.

6.8 Screw driving

We recommend using self-centering screws (e.g. Torx screws, recessed head screws) designed for reliable working. Be sure to use a bit that matches the screw in shape and size. Set the torque, as described elsewhere in these operating instructions, to suit the size of screw.

7. Cleaning, maintenance and ordering of spare parts

Always pull out the mains power plug before starting any cleaning work.

7.1 Cleaning

Keep all safety devices, air vents and the motor housing free of dirt and dust as far as possible.

Wipe the equipment with a clean cloth or blow it with compressed air at low pressure.

We recommend that you clean the device immediately each time you have finished using it.

Clean the equipment regularly with a moist cloth and some soft soap. Do not use cleaning agents or solvents; these could attack the plastic parts of the equipment. Ensure that no water can seep into the device

7.2 Maintenance

There are no parts inside the equipment which require additional maintenance.

7.3 Ordering replacement parts

Please quote the following data when ordering replacement parts: Type of machine Article number of the machine Identification number of the machine Replacement part number of the part required For our latest prices and information please go to www.prokits.com.tw

8. Disposal and recycling

The unit is supplied in packaging to prevent its being damaged in transit. This packaging is raw material and can therefore be reused or can be returned to the raw material system.

The unit and its accessories are made of various types of material, such as metal and plastic. Defective components must be disposed of as special waste. Ask your dealer or your local council.

9. Storage

Store the equipment and accessories out of children's reach in a dark and dry place at above freezing temperature. The ideal storage temperature is between 5 and 30 °C. Store the electric tool in its original packaging.

重要！

使用設備時，安全防範措施必須遵守，以避免人員傷亡和損害。請閱讀完整的操作手冊，並適當存放。請將本手冊存放在一個安全的地方，從而使資訊是隨時可用。如果你將設備給其他人，請給他們這些操作說明。不遵守這些指令和安全資訊將導致產品損壞或意外產生。

1. 安全資訊

請參閱說明書

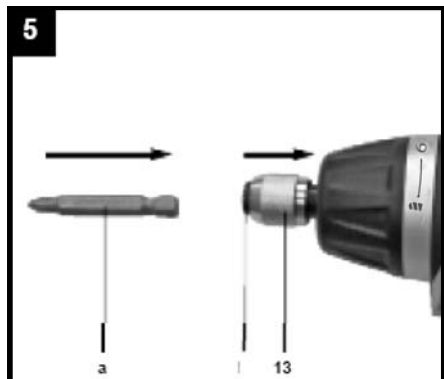
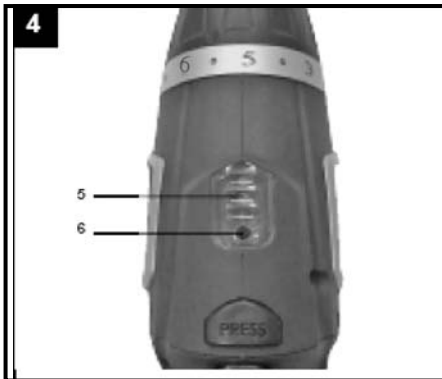
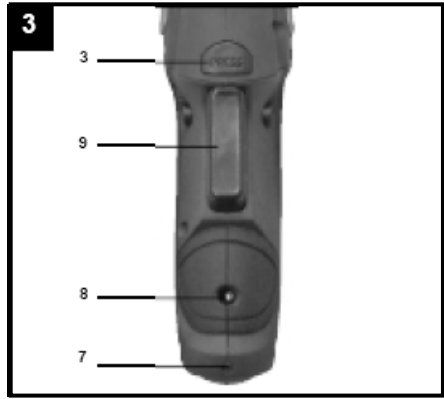
警告！

閱讀所有安全法規和指令。

任何錯誤可能會導致觸電，火災和/或嚴重傷害，將說明書放置于安全的地方以利使用

2. 外觀和配件





2.1 外觀

1. 夾頭
2. LED燈
3. 鎖定鍵
4. LED燈開關
5. 電池容量指示燈
6. 電池容量指示燈開關
7. 充電指示燈
8. 充電插頭
9. 開關按鈕
10. 順時針/逆時針選擇開關
11. 電池充電器
12. 充電線
13. 鎖緊套筒

2.2 配件提供

打開包裝，小心取出設備拆掉包裝材料或任何運輸防護材料。檢查是否所有的配件都有提供。如果可能的話，請保持包裝到質保期結束為止。

1. 電動螺絲起子，

2. 電池充電器
3. 4個起子頭(50 mm, SL5,SL6,PH1,PH2)
4. 操作使用說明書安全說明

重要

設備和包裝材料不是玩具。切勿讓孩子玩塑膠袋，或小零件，否則有吞咽或窒息的危險！

3. 正確使用

無電源線的電動起子是為螺絲鎖緊和放鬆用的設計，電動起子只用於其既定的目的。任何其他用途，被認為是使用不當的情況。用戶/操作員將為造成任何損害或傷害承擔責任，而非製造商。

4. 技術資料

項目	PT-1361A	PT-1361F	PT-1361G
充電器輸入電壓	120V 50Hz	230 V 50 Hz	220V 50 Hz
電源	3.6 V DC		
無負載轉速	200 rpm		
正反轉設定	可以		
充電電壓	6 V DC		
充電電流	300 mA		
充電時間	3-5 小時		
電池類型	鋰電		

振動雜訊

聲音與振動值的測定按照EN 60745

電動工具的其他資訊

警告!

指明的振動值是按照標準化的測試方法。它根據電氣設備使用的不同可能發生變化，特殊情況下可能超過規定值。

保持雜訊的排放量和振動到最低限度。

使用器具于正常的工作條件。

定期清潔器具，使之適應你的工作要求，善用設備，不要超負荷使用設備。

剩餘風險

即使您使用這個電動工具時按照指示操作，某些不確定的風險可能不能排除。可能產生以下危害

1. 如果沒有合適的防護防塵口罩使用，可能損害肺部
2. 如果沒有合適的護耳產品，可能損害聽力
3. 如果該設備使用時間過長或沒有正確引導和維護，手臂遭受振動可能損害健康，

5.在啟動設備之前

在首次使用前您的充電電批，請務必閱讀以下的資訊

1. 使用充電器將電池充滿電
2. 測試過，才能找到合適的扭力。
3. 鑽孔或在牆壁鎖螺絲時請務必檢查隱蔽在牆內的電纜和煤氣管道，水管等

6. 操作

6.1 電池充電 (圖 1)

電池有過充保護，內部有自動保護電路，

警告! 不要一直不斷的重複按ON / OFF開關引起保護電路啟動。這可能損壞電池。

1. 檢查您的電源電壓是否與銘牌上標明的一樣。充電過程中充電電纜連接到充電適配器。
2. 紅色LED燈亮表示正在充電過程中
3. 充電完成時，充電控制燈（7）熄滅

重要!

充電過程中手柄可能有點發熱，這是正常的。如果電池無法充電，請檢查：插座是否有電壓，是否有接觸到，如果電池仍然無法充電，請將電池充電器和電批發送到我們的客戶服務部門。及時給電池充電，將有利於延長電池使用壽命。

當您發現電批扭力下降時，您應馬上充電。

6.2 轉向開關 (圖 2/10)

上述轉向開關是配合ON / OFF開關設置旋轉方向的，您可以選擇順時針方向和反順時針方向旋轉。只有當設備處於停頓狀態時，才可以改變旋轉方向。如果你不注意這一點，齒輪可能會損壞。當滑動開關在中間位置時，ON / OFF開關是被鎖住的。

6.3 ON/OFF 開關 (圖 2/9)

壓下開關啟動電批，釋放開關停止電批運轉

6.4 LED 燈 (圖1/2)

LED 燈(2)主要在光線不好的地方使用電批。按下燈開關打開LED燈，釋放燈開關關閉LED燈

6.5 角度選擇(圖 1,3/ 3)

螺絲刀可以被設定在2個不同的角度。要做到這一點，按下鎖定按鈕（3）將電批移動到所需的位置。然後鬆開鎖定按鈕（3）。

重要! 在您使用電批之前，確保它是正確的鎖定角度位置。

6.6 電池容量指示燈（圖 4/ 5)

按下電池容量指示燈開關（6），電池容量指示燈（5）顯示3個彩色LED電池的充電狀態：

- 所有LED點亮： 電池完全充電
黃色和紅色的LED點亮： 電池有足夠的剩餘電量
紅色 LED： 電池沒電，需對電池充電

6.7 更換工作部件(圖 5)

重要! 每當你進行任何工作（例如更換配件，進行維護工作，等）請將電批鎖定按鈕設置到中心位置。按住鎖套（13）。插入批頭（1）（a）鬆開鎖套（13）。再次檢查它是安全固定的，再使用電批

6.8 螺絲

請務必使用匹配形狀和大小的螺絲釘，並設置好扭矩。我們建議採用自攻螺絲（如Torx螺釘，凹頭螺釘）。無論在何種場合，請注意以上事宜

7. 清洗，保養和配件訂購

在進行任何清潔工作開始之前，務必拔出電源插頭。

7.1 清潔

保持部件的清潔，盡量遠離塵土和灰塵，使用濕布或低壓氣泵擦拭吹淨。每次使用完電批，我們建議您立即清潔設備。定期用濕布加一些肥皂水清潔設備，請勿使用清潔劑或溶劑，這可能會損壞設備的塑膠部件。確保沒有水可以滲入設備。

7.2 維護

設備內其他部件無須維修保養

7.3 訂購更換零件

訂購更換零件時，請注明下列數據: 1. 機器型號 2. 機器的數量 3. 機器的系列號
對於我們的最新價格和資訊，請訪問www.prokits.com.tw

8. 處置和回收利用

外包裝是防止其在運輸途中受損。這種包裝原料，可以被重複利用。各類材料，如金屬和塑膠，配件。有缺陷的部件必須作為特殊廢物處置，請詢問您的經銷商或當地政府。

9. 存儲

將設備和配件存放在兒童不能接觸的地方。理想的存儲溫度是5°-30°，請以原包裝存儲

Pro'sKit®

寶工實業股份有限公司

PROKIT'S INDUSTRIES CO., LTD.

<http://www.prokits.com.tw>

E-mail : pk@mail.prokits.com.tw



©2015 Prokit's Industries Co., LTD. All rights reserved 2015001(C)